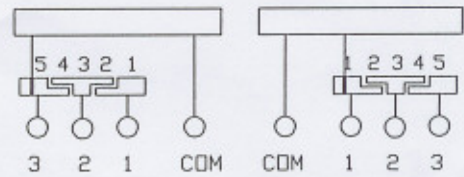
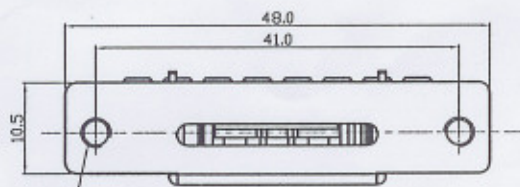


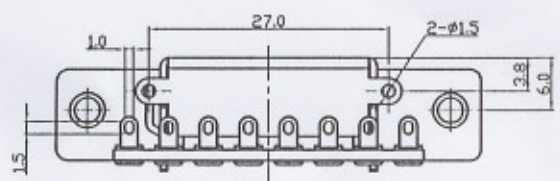
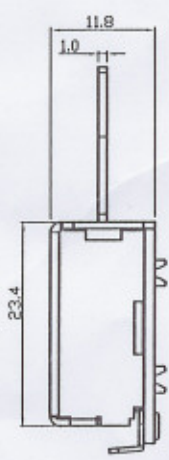
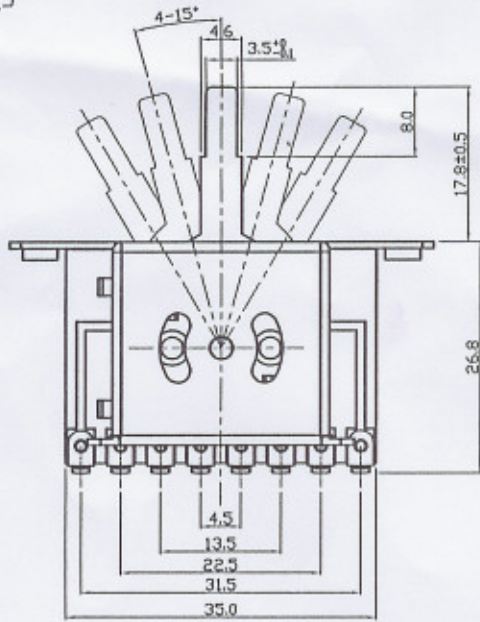
# SPECIFICATIONS

Rating	DC 16V 0.1 A
Contact Resistance	100 mΩ Max.
Insulation Resistance	DC500V-100 MΩ Min.
Withstand Voltage	AC100V-1 Minute
Operating Force	300gf.cm ±200gf
Life cycle	10,000 cycles
Sizes (m.m.)	As Following Drawings



SCHEMATIC

2-N06-32UNC



NO.	DATE	DESCRIPTION	PART NO.	NAME			
TOL, UNLESS OTHERWISE STATED		DIMENSION	SCALE	DRAWN BY	CHECKED BY	APPROVED BY	DRAWING NO.
less than	10	±0.3	2 / 1	萬祥			
above	10 ~ 30	±0.5					
above	30 ~ 100	±1.0					
above		±5°					
				94 09 07			